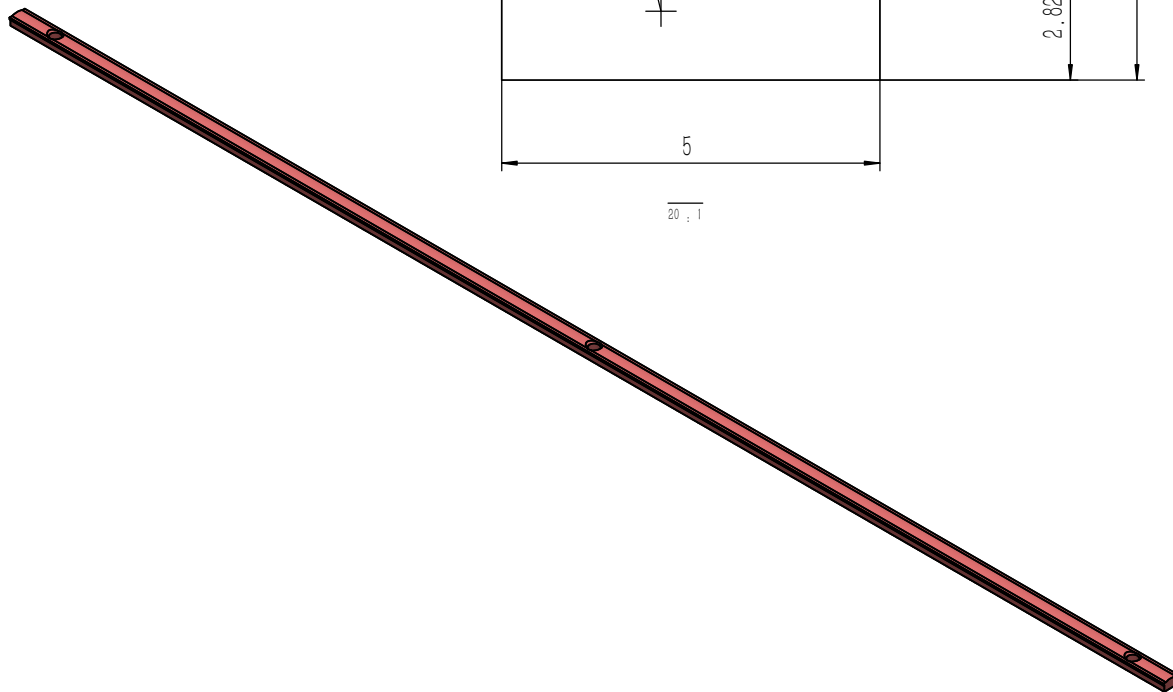


3x Ø 3.45 ± 0.10



Label strip base 3 hole vers

Unit: mm

Unspecified tolerance: ±0.1mm

Surface finishing: black anodizing