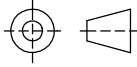


DRAWING NUMBER

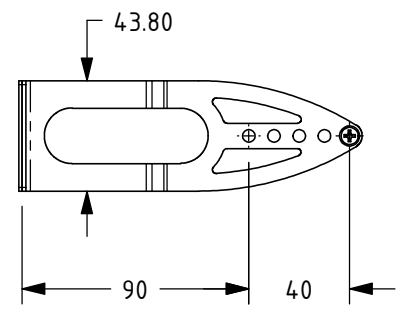
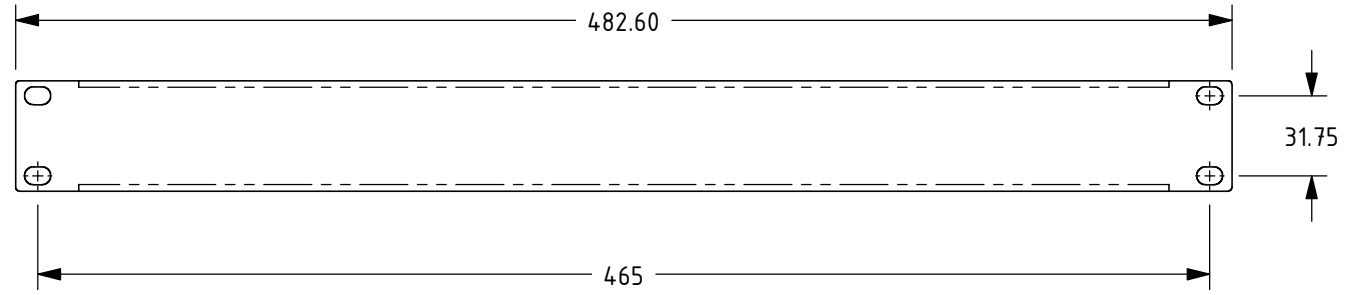
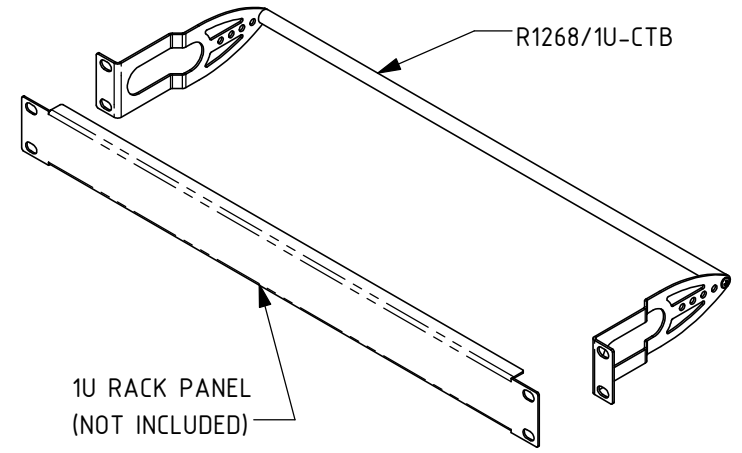
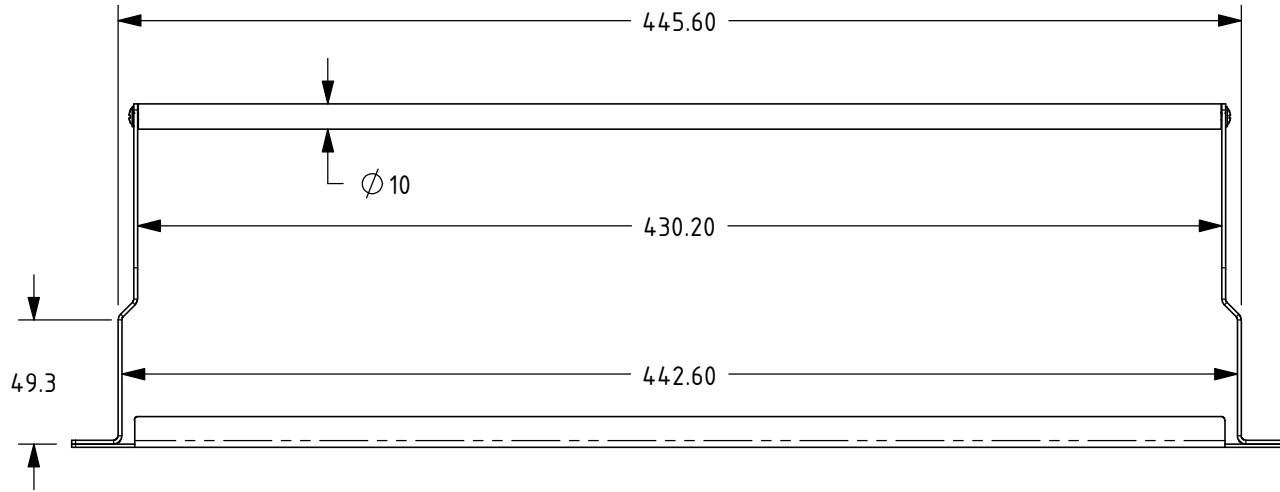
R1268-1U-CTB

THIRD ANGLE PROJECTION



ISS.	DESCRIPTION	DRAWN	CHK'D	APP'D
		DATE	DATE	DATE
A	INITIAL ISSUE	CAJH 26.1.15		

A USED ON



MATERIAL
STEEL / ALUMINIUM

FINISH
BLACK POWDER COAT

TOLERANCES
UNLESS OTHERWISE STATED
LINEAR ANGULAR
X.X ±0.5 X ±0.5°
X.XX ±0.1 X.X ±0.1°

ALL DIMENSIONS IN mm
SCALE
1:3

CUSTOMER WORKS
TITLE
CABLE TIE BAR FOR 1U RACK PANELS



THIS DOCUMENT CONTAINS INFORMATION PROPRIETARY TO PENN ELCOM LTD. AND SHALL NOT BE REPRODUCED NOR TRANSFERRED TO OTHER DOCUMENTS NOR DISCLOSED TO A THIRD PARTY OR USED FOR ANY PURPOSE OTHER THAN FOR WHICH IT IS FURNISHED WITHOUT THE WRITTEN PERMISSION OF PENN ELCOM LTD.

DRAWING NUMBER
R1268-1U-CTB

SHEET No. 1 OF 1 A 4