

4

3

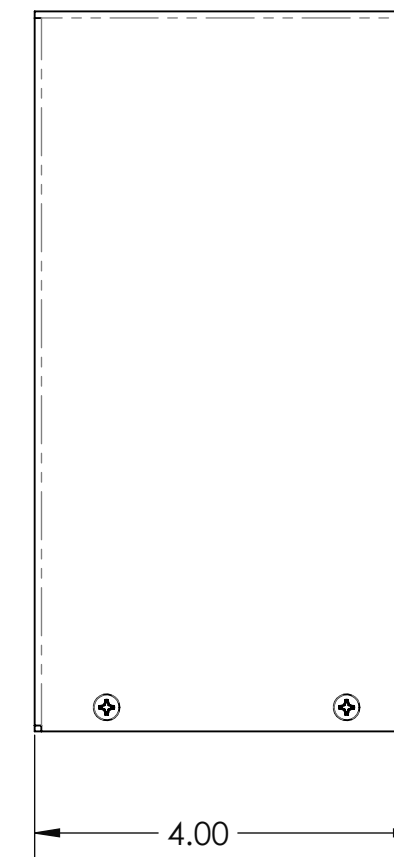
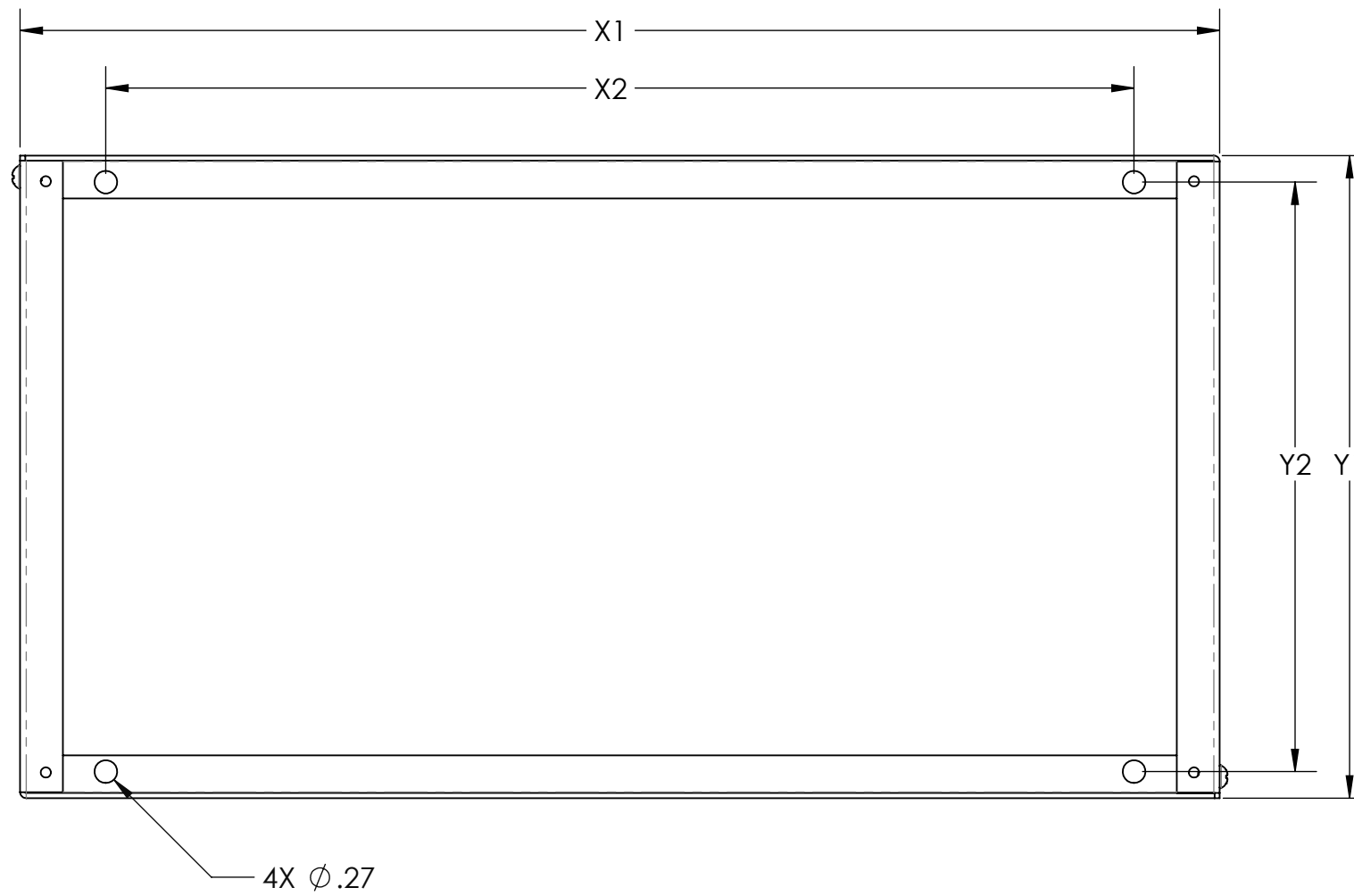
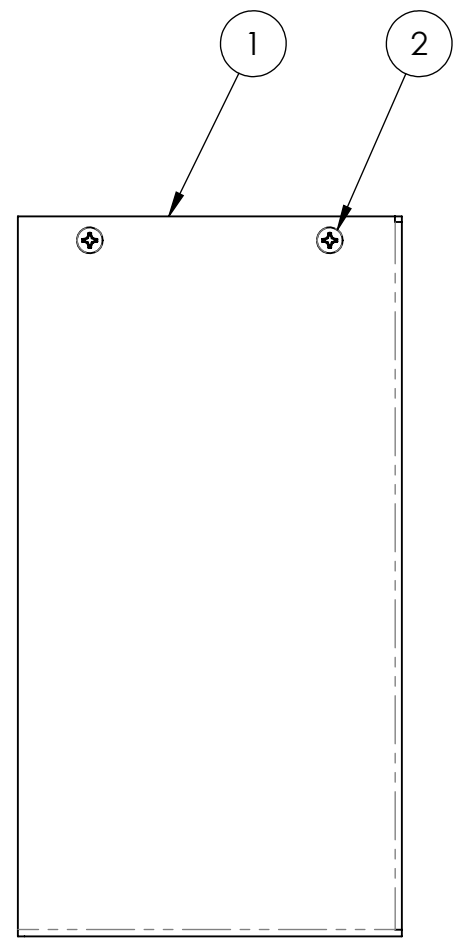
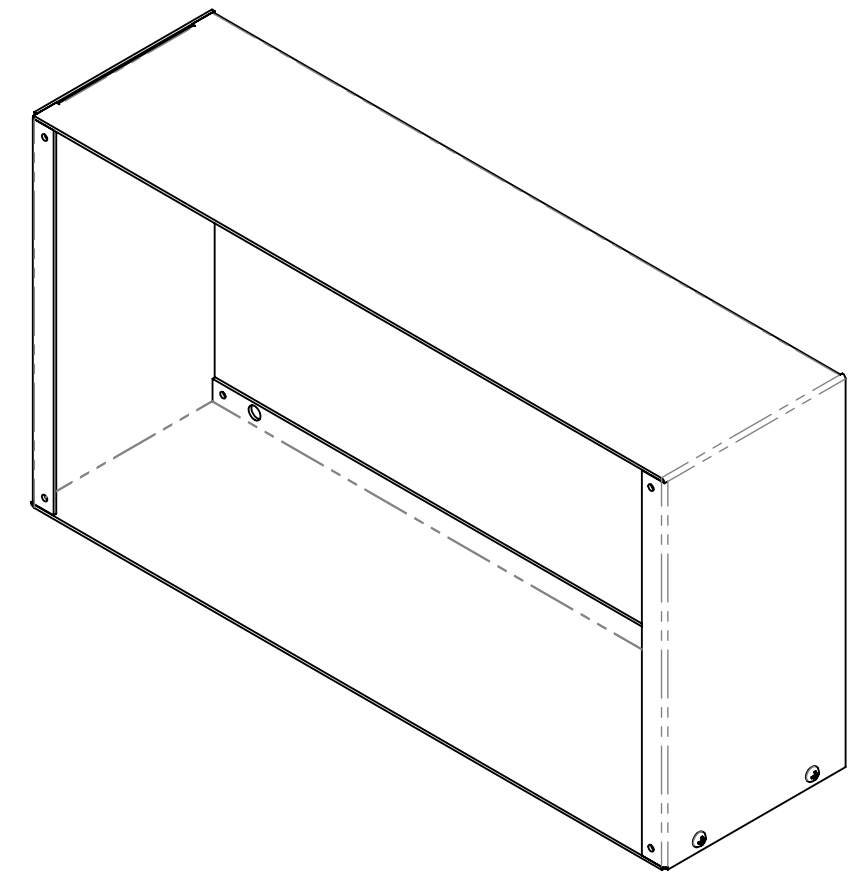
2

1

ITEM NO.	PART NUMBER	DESCRIPTION	QTY.
1	RED BB14754	BB HOUS, 14754	2
	RED BB 17754	BB HOUS, 17754	2
	RED BB 85754	BB HOUS, 85754	2
	RED BB 171054	BB HOUS, 171054	2
	RED BB 855754	BB HOUS, 855754	2
	RED BB 1451054	BB HOUS, 1451054	2
2	90410A144	6-32 X.25 SELF TAPPING BLK	4

PART NUMBER	X1 (X OVERALL)	Y1 (Y OVERALL)	X2 (MOUNT HOLE)	Y2 (Y MOUNT HOLE)
RED BB 14754	14"	7.5"	12"	6.88"
RED BB 17754	17"	7.5"	15"	6.88"
RED BB 85754	8.5"	7.5"	6.5"	6.88"
RED BB 171054	17"	10"	15"	9.88"
RED BB 855754	8.5"	7.5"	6.5"	6.88"
RED BB 1451054	14.5"	10.5"	12.5"	9.88"

REVISIONS				
ZONE	REV.	DESCRIPTION	DATE	APPROVED
	A	RELEASE	10/31/2024	



UNLESS OTHERWISE SPECIFIED: DIMENSIONS ARE IN INCHES TOLERANCES: ANGULAR: BEND ±.5 TWO PLACE DECIMAL ±.010 THREE PLACE DECIMAL ±.005	DRAWN	NAME	DATE
	MFG APPR.	MB	10/31/2024
	CHECKED		
PROPRIETARY AND CONFIDENTIAL THE INFORMATION CONTAINED IN THIS DRAWING IS THE SOLE PROPERTY OF Redco Audio. ANY REPRODUCTION IN PART OR AS A WHOLE WITHOUT THE WRITTEN PERMISSION OF Redco Audio IS PROHIBITED.	MATERIAL	N/A	
	FINISH	BLACK POWDER COAT	
	DO NOT SCALE DRAWING		

REDCO AUDIO		TITLE:	
RED BBXXXX		REV	
SIZE	DWG. NO.	REV	
C	RED BBXXXX REC	A	
SCALE: 1:2	WEIGHT:	SHEET 1 OF 1	

4

3

2

1

D

D

C

C

B

B

A

A