

4

3

2

1

ITEM NO.	PART NUMBER	DESCRIPTION	QTY.
1	RED BB 664	BB HOUS, 664	2
	RED BB 884	BB HOUS, 884	2
	RED BB10104	BB HOUS, 10104	2
	RED BB 12124	BB HOUS 12124	2
2	90410A144	6-32 X.25 SELF TAPPING BLK	4

PART NUMBER	X1 (X OVERALL)	Y1 (Y OVERALL)	X2 (X MOUNT HOLE)	Y2 (Y MOUNT HOLE)
RED BB 664	6"	6"	4"	5.38"
RED BB 884	8"	8"	6"	7.38"
RED BB 10104	10"	10"	8"	8"
RED BB 12124	12"	12"	10"	10"

REVISIONS				
ZONE	REV.	DESCRIPTION	DATE	APPROVED
	A	RELEASE	10/31/2024	

D

D

C

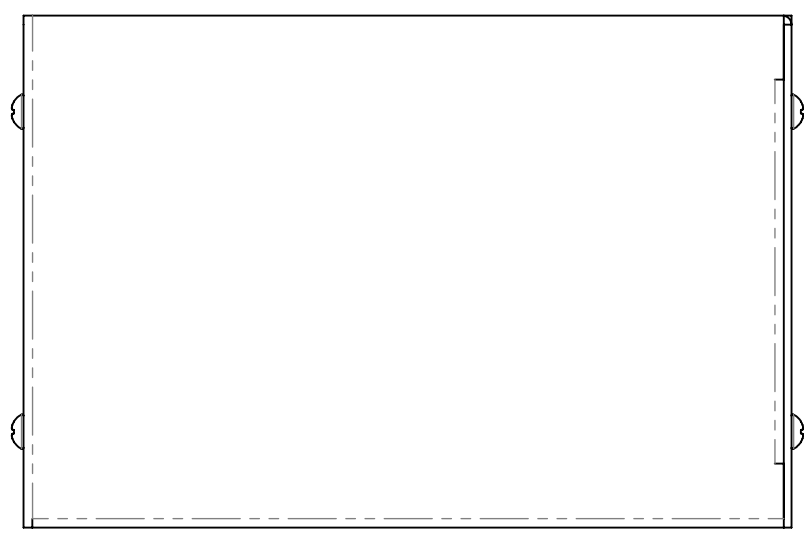
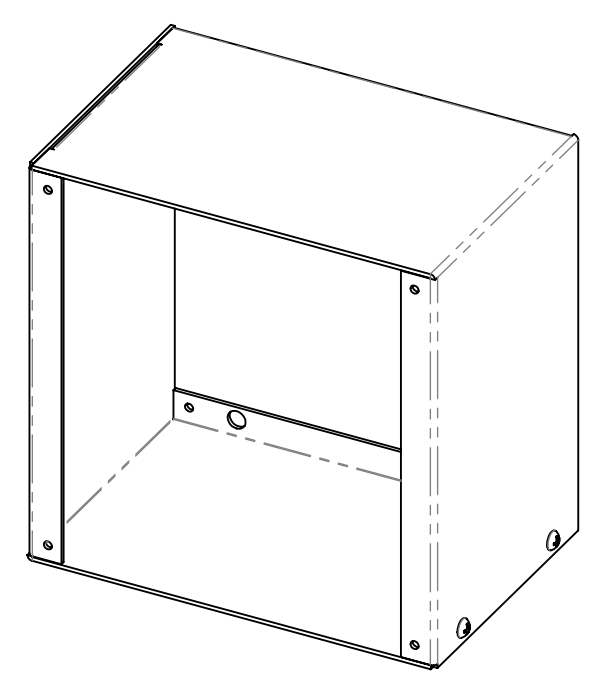
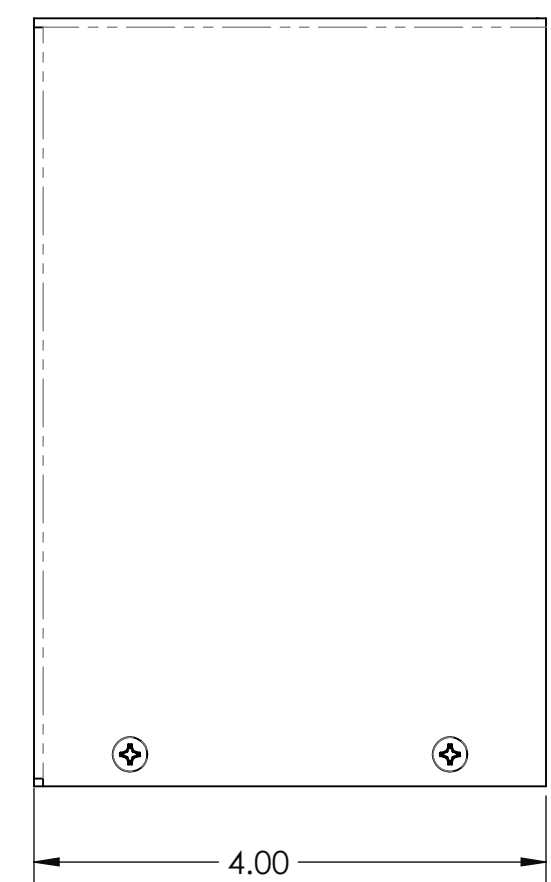
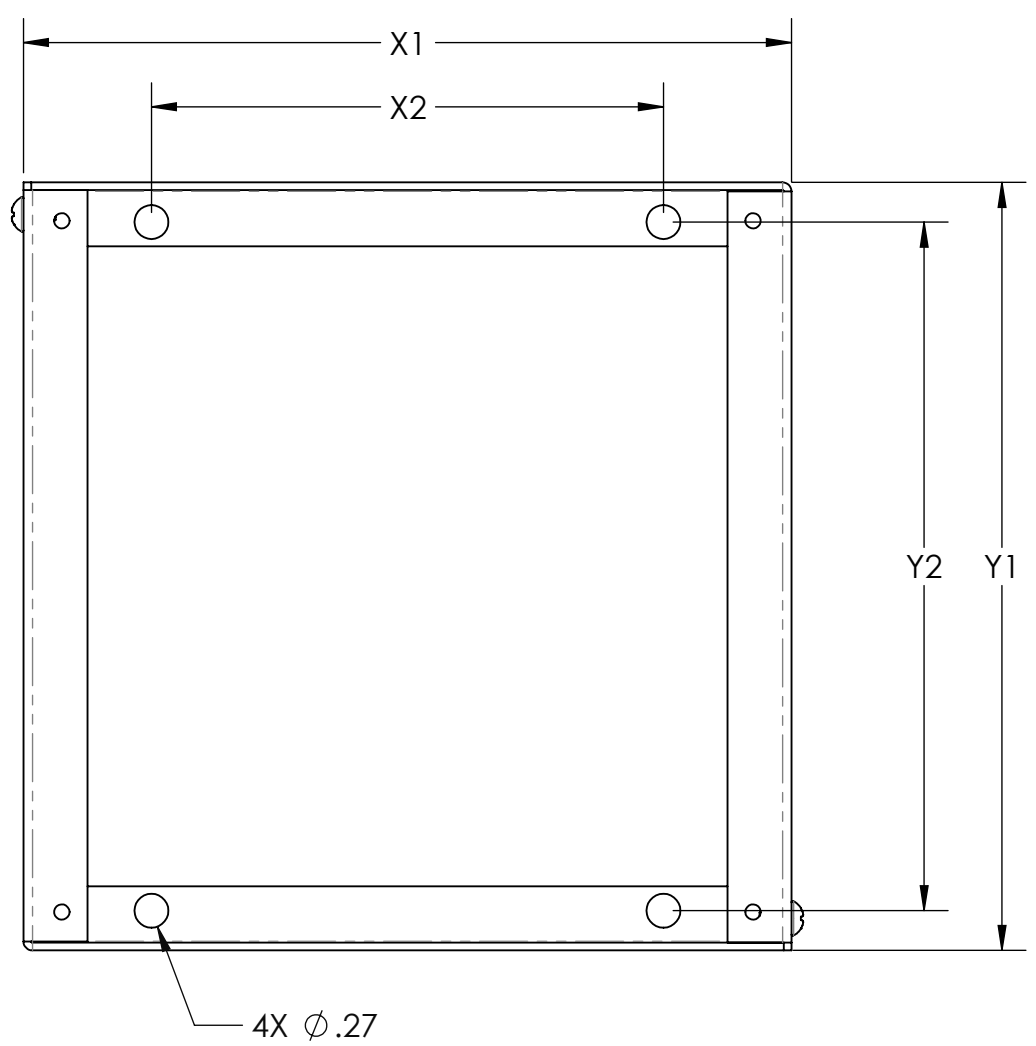
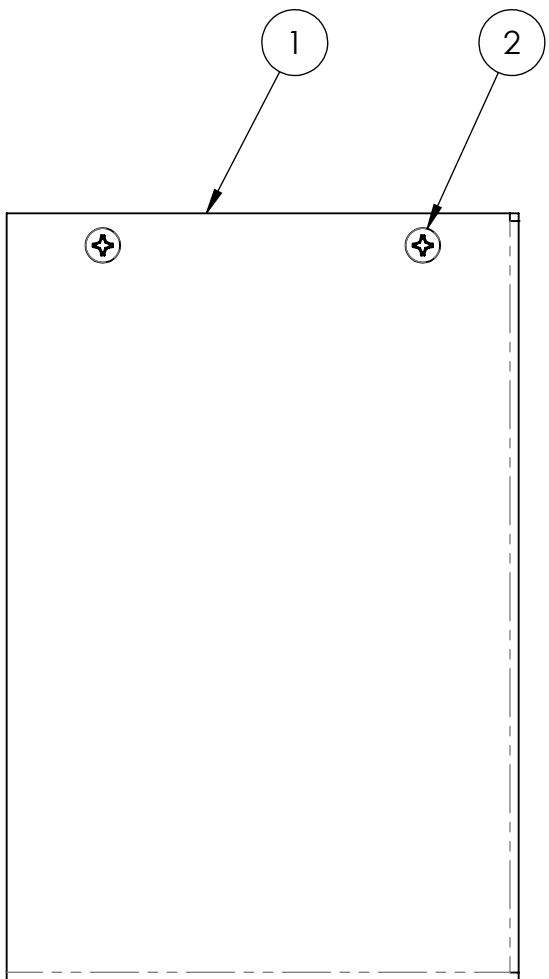
C

B

B

A

A



NOTES:
1. ALL BOX HOUSING ARE .06" THICK CRS.

UNLESS OTHERWISE SPECIFIED: DIMENSIONS ARE IN INCHES TOLERANCES: ANGULAR: BEND ±.5 TWO PLACE DECIMAL ±.010 THREE PLACE DECIMAL ±.005	DRAWN	NAME	DATE	REDCO AUDIO TITLE: RED BBXXXX DWG. NO. RED BBXXXX SQ SCALE: 1:1 WEIGHT: SHEET 1 OF 1
	MFG APPR.	MB	10/31/2024	
	CHECKED			
	ENG APPR.			
PROPRIETARY AND CONFIDENTIAL THE INFORMATION CONTAINED IN THIS DRAWING IS THE SOLE PROPERTY OF Redco Audio. ANY REPRODUCTION IN PART OR AS A WHOLE WITHOUT THE WRITTEN PERMISSION OF Redco Audio IS PROHIBITED.	MATERIAL	N/A		
	FINISH	BLACK POWDER COAT		
	DO NOT SCALE DRAWING			

4

3

2

1